

PEDESTAL

A convenient charging station pedestal, perfect for workplaces, multi unit residential buildings, fleets, and is also suitable for public space.

Key features

- ★ Single and dual pedestal options available.
- ★ Optional cable retractor for cord management.
- ★ Rugged and reliable design able to withstand harsh weather.
- ★ Easy and cost-effective installation: ground-mounted with 4 bolts, concrete pad recommended.
- ★ Multiple configurations and mounting options.
- ★ Silver-colored appearance, simple and stylish.

1 years
limited
warranty



* EV Charger(s) must be purchased separately.

AVAILABLE CONFIGURATIONS



PAA-01



PAA-02



PAA-03



PAA-04

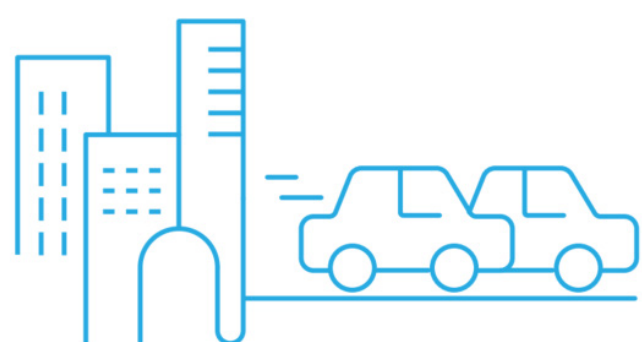


PAA-05

PEDESTAL

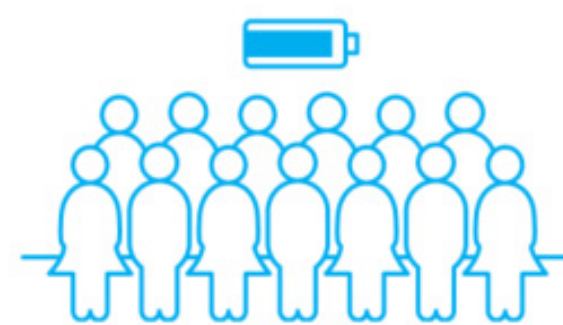
PEDESTAL WITH CABLE MANAGEMENT SYSTEM

APPLICATIONS



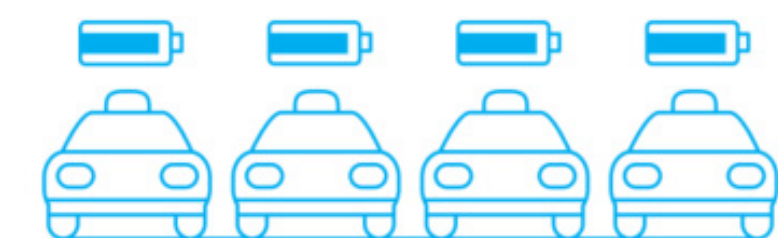
Public sites

- For business owners and organizations wanting to provide their customers with first-class charging experience and become a destination of choice, while demonstrating their sustainable development leadership.



Workplace

- For companies looking to offer an EV charging service to their employees, and looking for a solution that can evolve at the same rate as the demand for the service while maintaining reasonable installation and operation costs.

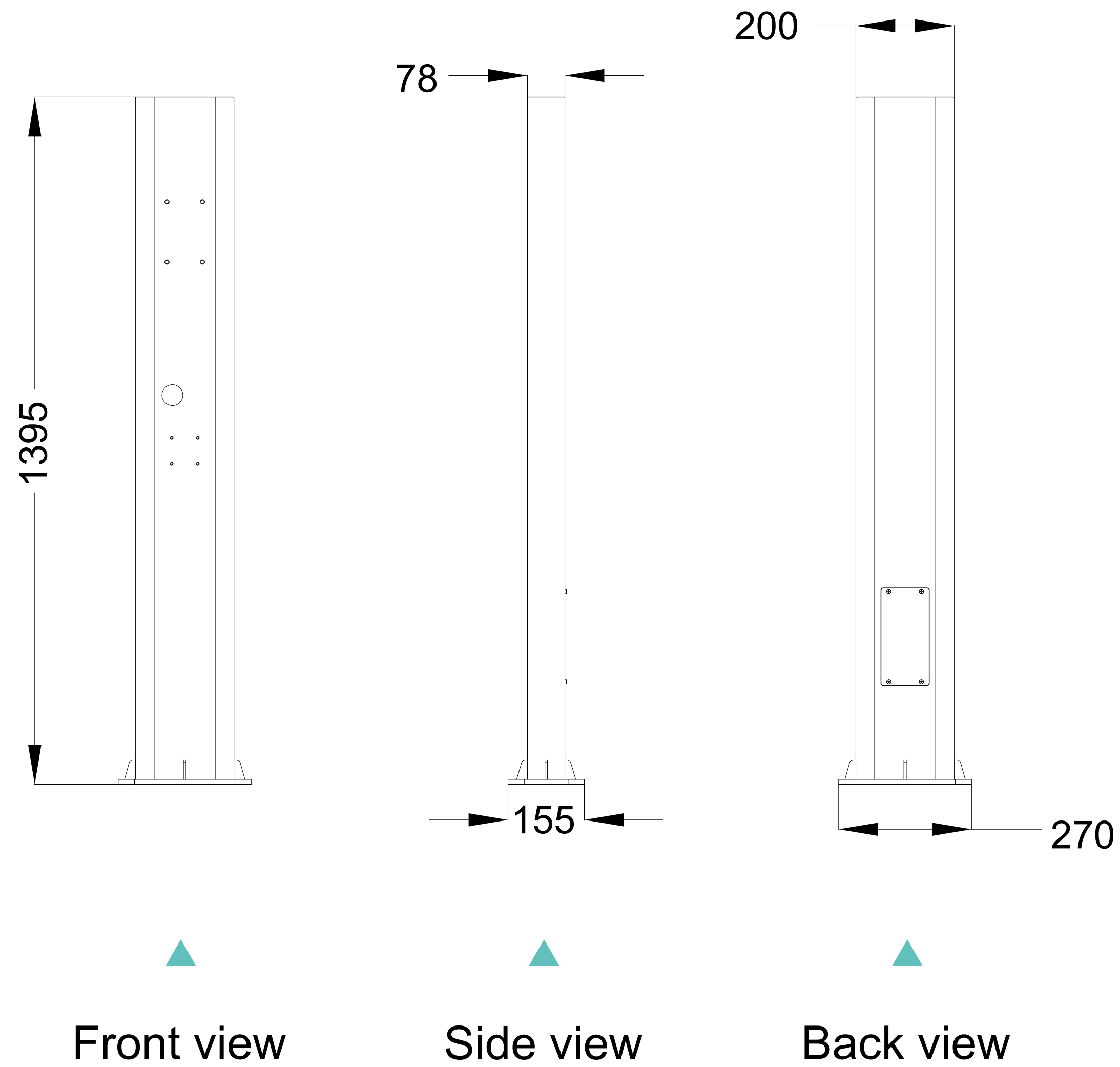


Fleet

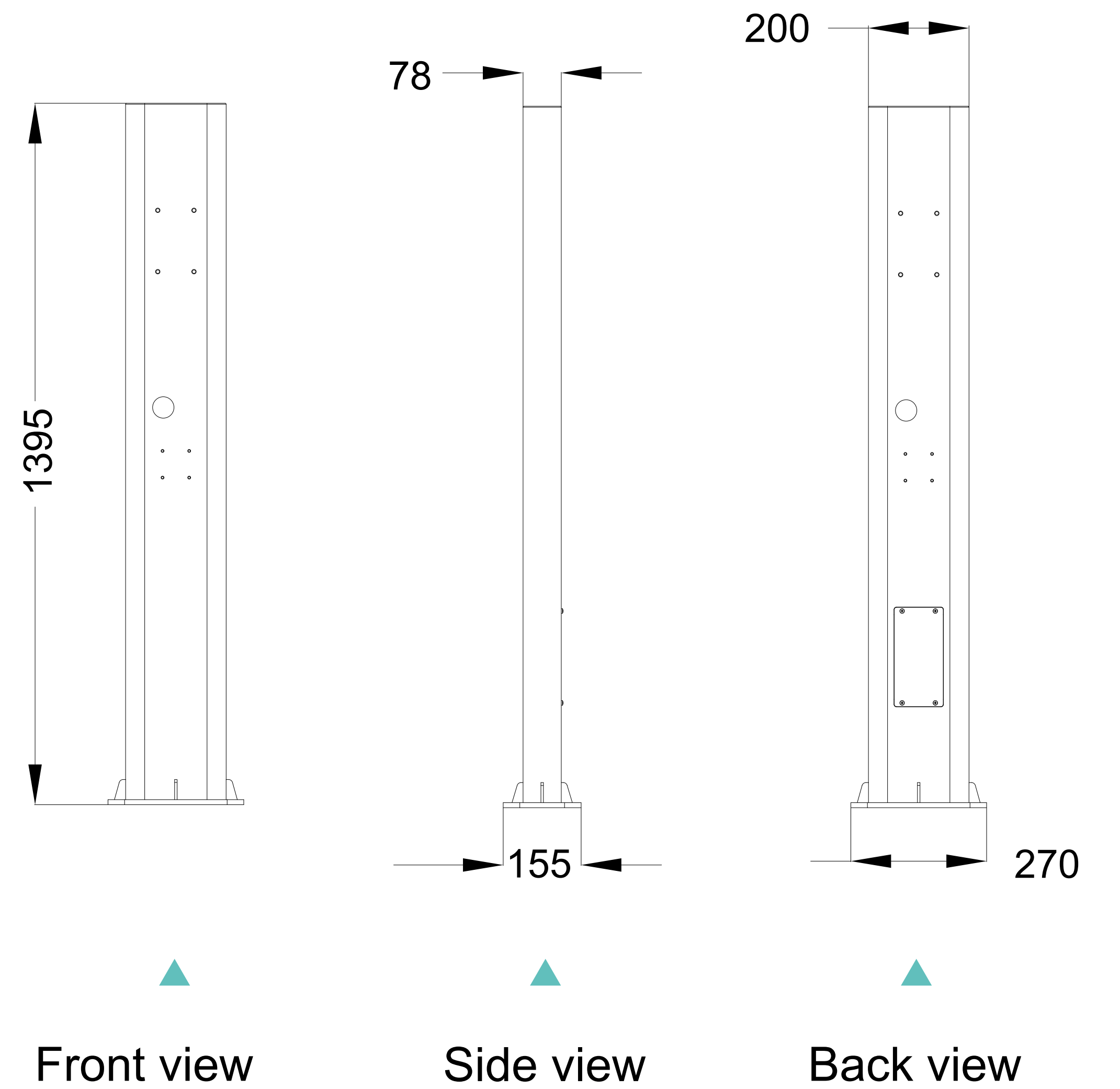
- For fleet managers who wish to grow their EV fleets without expanding their electrical infrastructure while maintaining the operational costs at an affordable level.

DIMENSIONS

Unit: mm



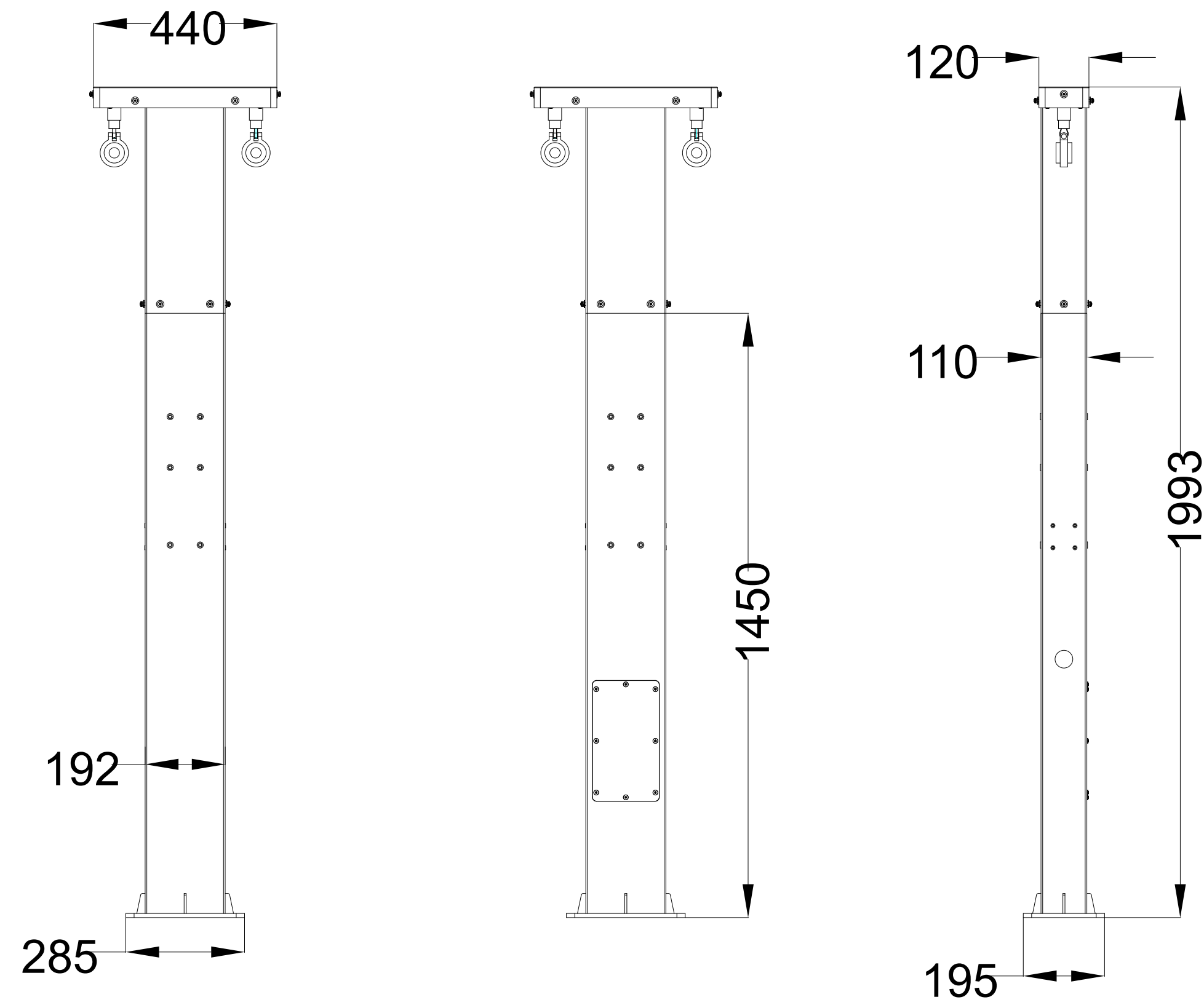
PAA-01



PAA-02

DIMENSIONS

Unit: mm

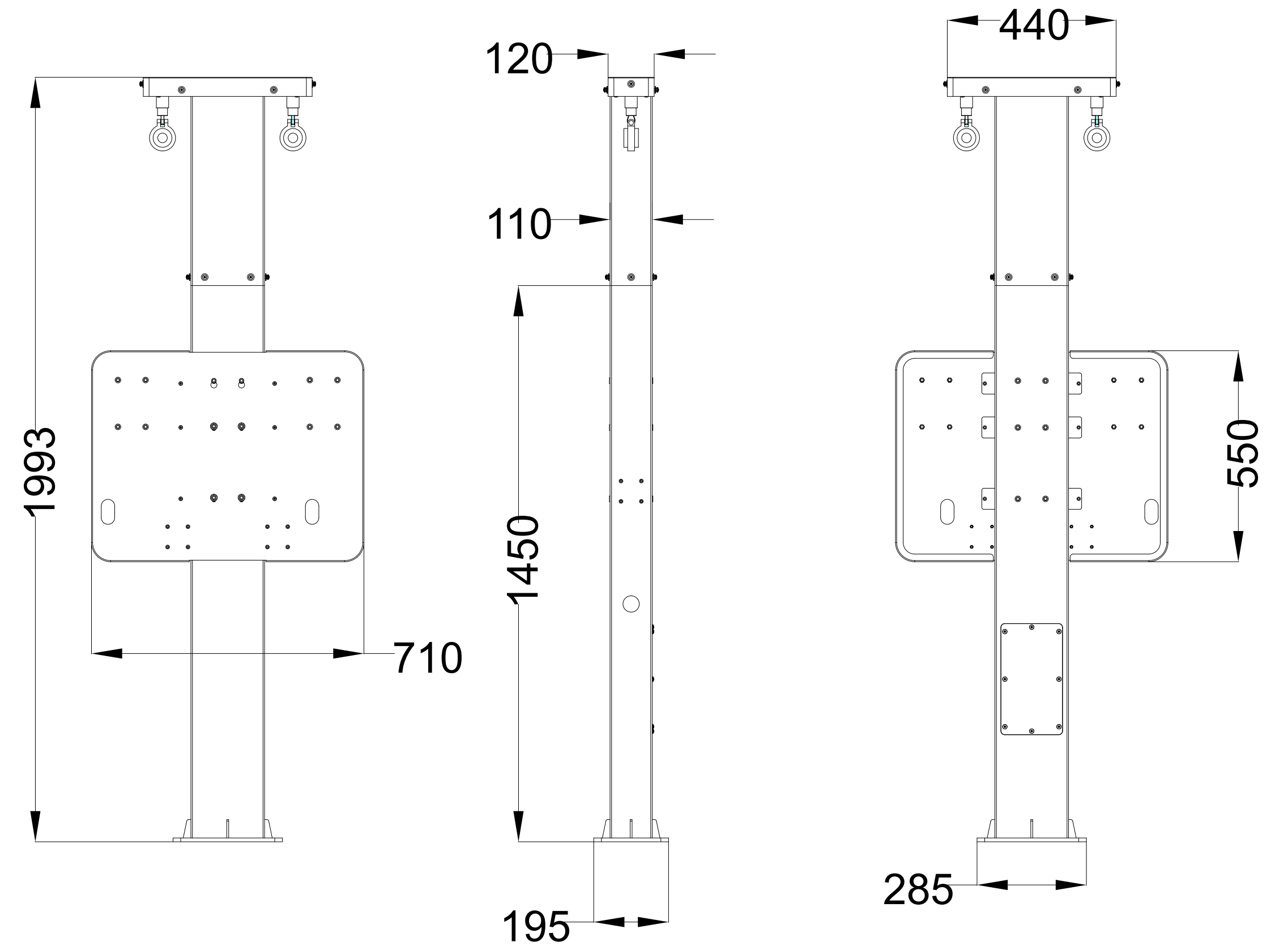


Front view

Side view

Back view

PAA-03 & PAA-04



Front view

Side view

Back view

PAA-05

PARAMETERS

	Pedestal		Pedestal with cable management system		
Item model number	PAB-01	PAB-02	PAB-03	PAB-04	PAB-05
Height	1395mm/55"		1993mm/78.5"		
Width	78mm/3.1"		110mm/4.3"		
Length	200mm/7.8"		192mm/7.6"		
Weight	\				
Package Dimensions (Unit: mm)	1610x345x235		1655x255x350		1655x255x350
			595x510x175		595x510x175
			\		735x60x585
Material	Q235				